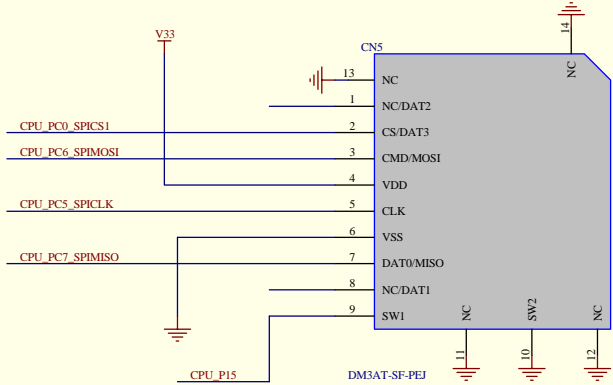


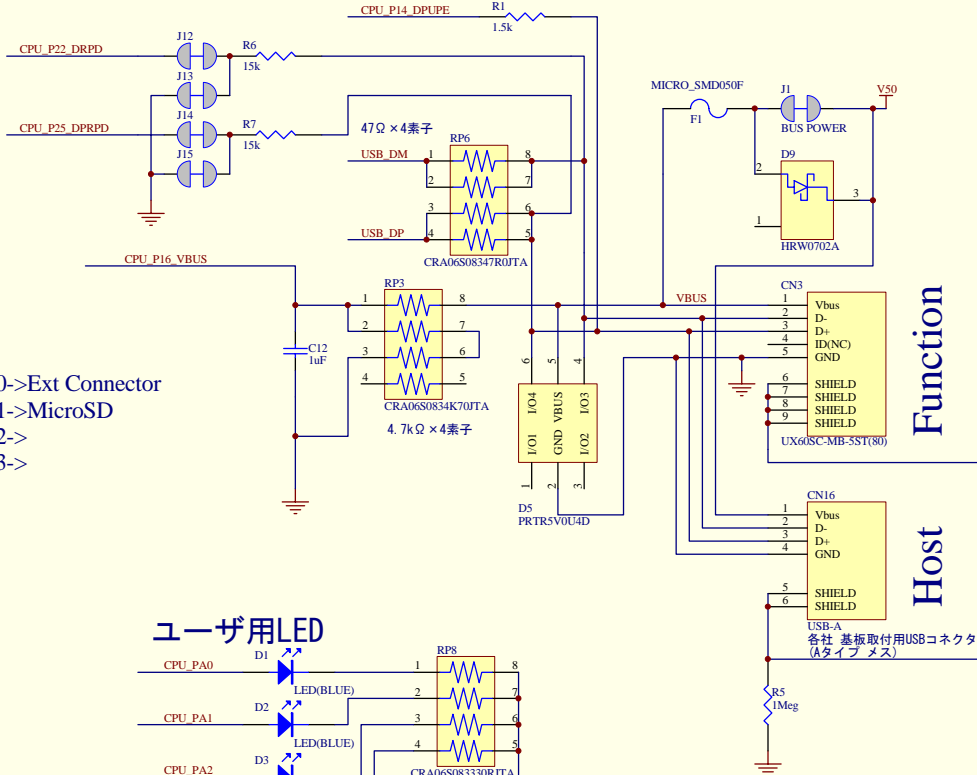
for Gadget Renesas Project

Title		
イーサネットPHY		
Size	Number	Revision
A3	NP1053A	1.3
Date:	31-Jul-2012	Sheet of 3/5
File:	C:\naitou\np1053\NP1053_3.ddb	Drawn By: R. Naitou

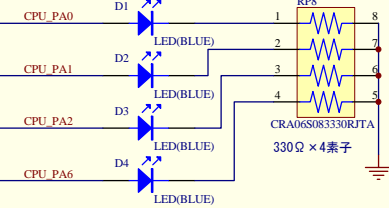
SD-Card



SPI CS0->Ext Connector
 SPI CS1->MicroSD
 SPI CS2->
 SPI CS3->

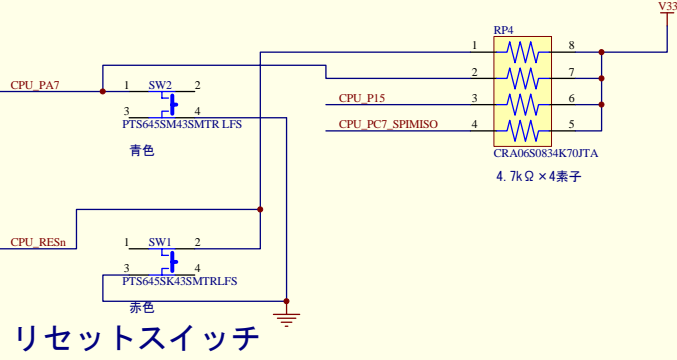
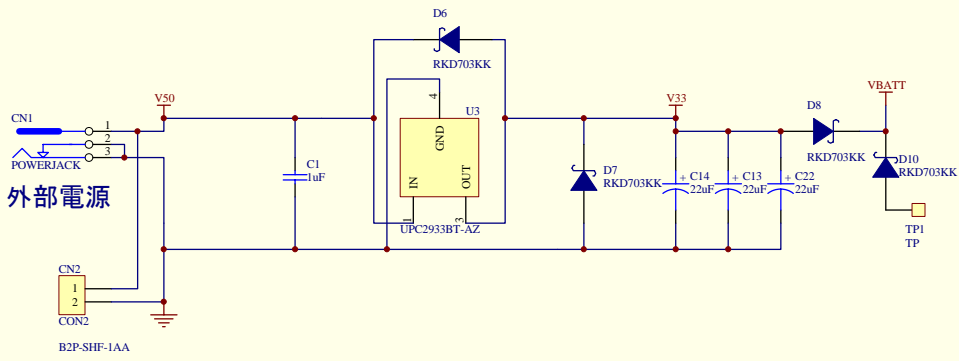
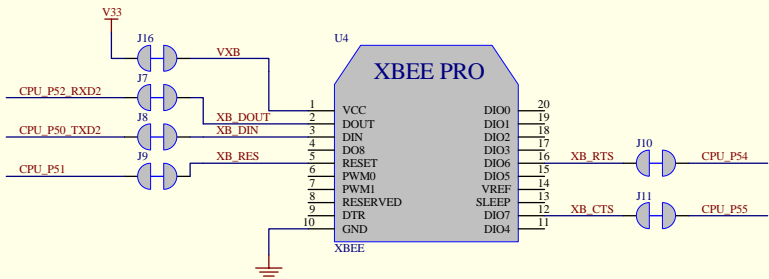


ユーザ用LED



Function

Host



リセットスイッチ

for Gadget Renesas Project

Title			USB回路と周辺コンポーネント		
Size	Number	Revision			
A3	NP1053A	1.3			
Date:	31-Jul-2012	Sheet of	4/5		
File:	C:\naitou\np1053\NP1053_3.ddb	Drawn By:	R.Naitou		

